

INSTALLATION GUIDELINES

FAST LAWN EDGING



SIZES

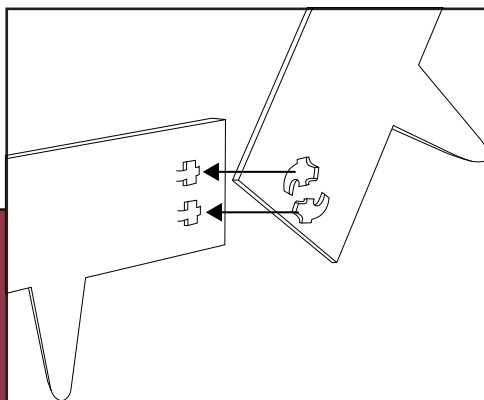
1000x80 mm
1000x105 mm

MATERIAL

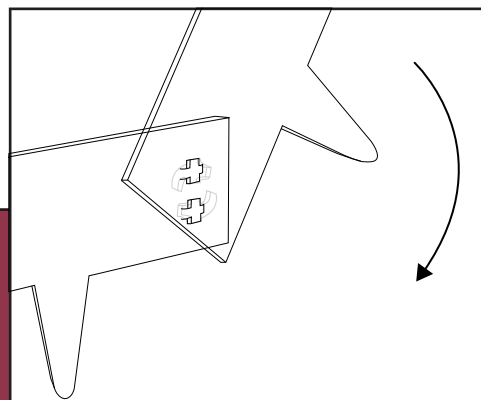
- Galvanized Steel
- COR-TEN Steel
- Brown Powder Coated Steel

THICKNESS

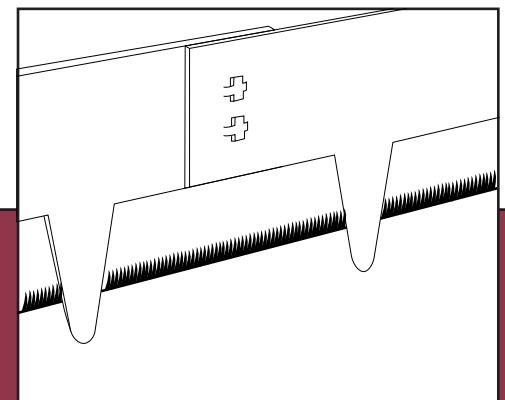
1.5 mm



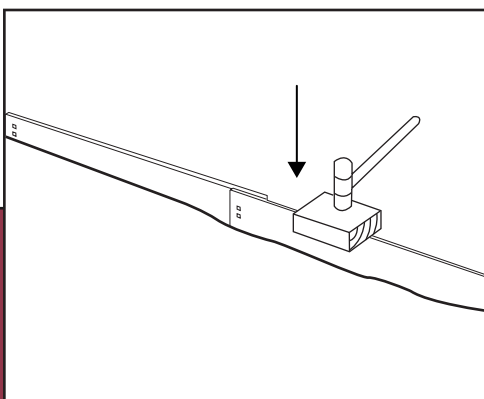
1 - Match the tracks with the holes



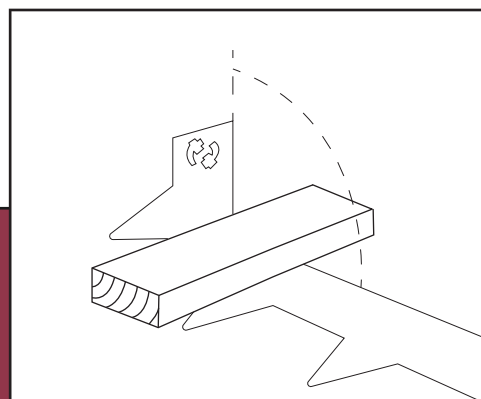
2 - Hold and slide the edging to fix



3 - Stick the edging in the soil



4 - Push the edging in the soil and levelling



Bend the edging with a shaped wooden plank



The edging has a manual fixing system and no need any specific tool to fix.

The edging could be bend without any open in the junction area, and make long distance with great esthetic effect.

www.metalgarden.it

Viale Enrico Fermi, 9 – 31011 Casella d'Asolo (TV) - Italia